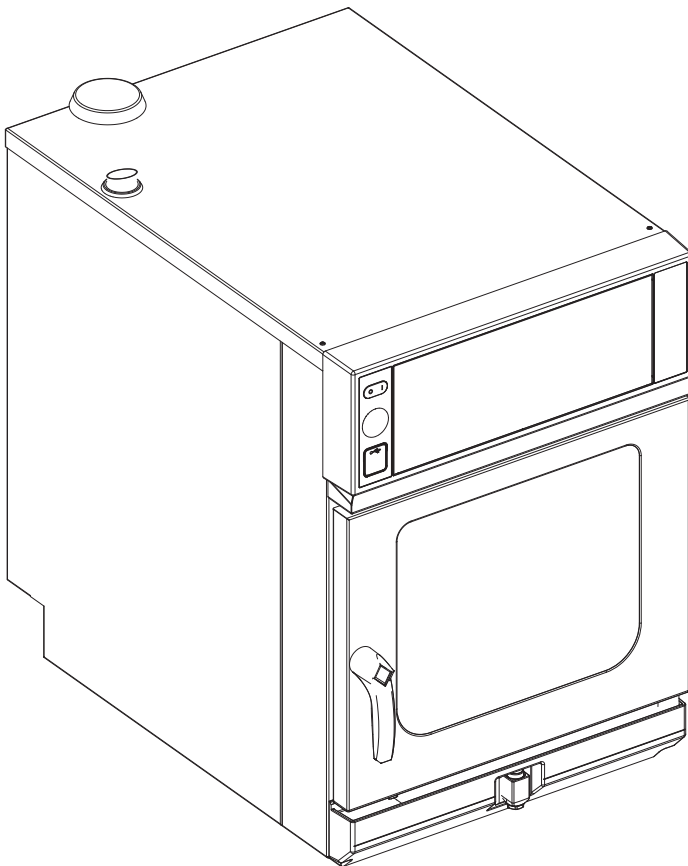




SpaceSaver GEN2



Translation from the original document • FM08-975B • 2/18/2026

FM08-975B

en-US

**Exploded
drawings**

Model

FSEN610

FSEN605



Henny Penny Corporation
P.O.Box 60
Eaton, OH 45320
USA

Phone +1 937 456-8400
Fax +1 937 456-8402

Toll free in USA
Phone +1 937 417-8417
Fax +1 937 417-8434

www.hennypenny.com

Introduction	5
1.1 About this manual	5
1.2 Warranty	5
Electrical section	6
Engine area	8
Operating panel - with plastic frame (until 2025)	11
Operating panel - with stainless steel frame (from 2025)	13
Cooking chamber door and fastening	15
Air intake area	20
Front area	24
Cooking chamber and cleaning system	27
Cooking chamber and heating	30
Hose reel (option)	31
Lid and side parts SKE	32
Lid and side panels EKE built-in version	34
Hood MagicHood (option)	36
Wires and cable harnesses	37

Introduction

1.1 About this manual

This service manual contains information needed by the service technician for professional and correct fault isolation, repair and maintenance of the unit. The service technician must also observe the contents of the installation instructions and the user manual.

Target group Target group for this service manual is qualified personnel who are familiar with the technical functioning and operation of the unit and have been trained to work on electrical units.

Figures All figures in this service manual are intended as examples. Discrepancies can arise between this and the actual unit.

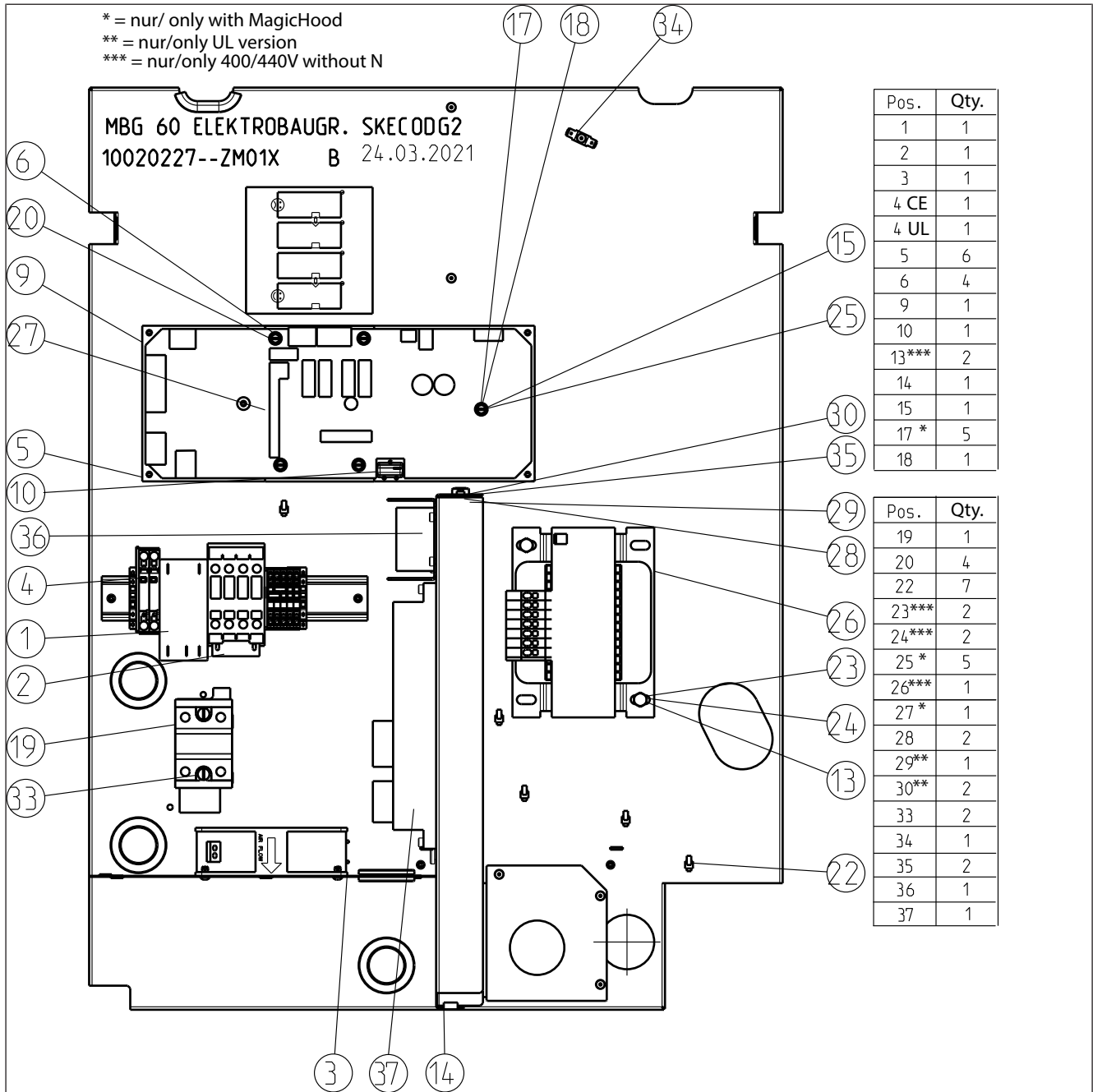
Spare parts To ensure the reliability of the unit and the individual components, it is essential that only genuine OEM parts be used. Spare parts can be identified exactly with the aid of the online database.

1.2 Warranty

The warranty is void and safety is no longer assured in the event of:

- Modifications or technical changes to the unit,
- Improper use,
- Incorrect startup, operation or maintenance of the unit,
- Problems resulting from failure to observe these instructions.

Electrical section



Pos.	Art. Nr. Part no.	Deutsch	English
1	10011996	RC-Kombination 440V	RC-combination 440V
2	10018620	Schütz 20 A, 230 V	Contacteur 20A, 230V
3	203819	Lüfter 21 W; 230 V; 120 x 120 mm	Cooling fan 21 W; 230 V; 120 x 120 mm
4	203473	Sicherung 6,3 A Träge; 20 x 5 mm	Fuse 6,3 A ; 20 x 5 mm
4	10016452	Sicherung 6.25 A Träge; 1,5 x 0,41"; 600 V	Fuse 6.25 A; 1,5 x 0,41"; 600 V
5	10026429	Abstandshalter	Distance holder
6	10026428	Abstandsbolzen M4	Spacer M4
9	10019108	Steuerplatine A1 Kombidämpfer, G2	Control pcb A1 Combisteamer, G2
10	10035058	Konfigurationsspeicher A4, 64 kbit	Configuration key A4, 64 kbit
13	113091	Sechskantmutter M6	Hexagon nut M6
14	208027	Schnappmutter 4,2 mm	Snap nut 4,2 mm
15	116042	Sicherungsmutter M4 Kunststoffeinsatz	Lock nut M4
17	120017	Unterlegscheibe 4,3 mm	Washer 4,3 mm
18	10026430	Abstandsbolzen M4	Spacer M4
19	10011591	Halbleiterrelais 50 A; 4 - 32 V, Dual	Solid state relay (SSR) 50 A; 4 - 32 V, dual
20	10023084	Abstandsbolzen	Spacer
22	203734	Kabelbinder	Zip tie
23	120027	Unterlegscheibe 6,4 mm	Washer 6,4 mm
24	101405	Sechskantschraube M6 x 10	Hexagon screw M6 X 10
25	105111	Zylinderkopfschraube M4 x 5 ; Schlitz	Cylinder head screw M4 x 5; slit
26	10015147	Steuertrafo 750 VA	Transformer 750 VA
27	10019107	Zusatzplatine für Steuerplatine #10019108	Add-on board for control pcb #10019108
28	113081	Sechskantmutter M3	Hexagon nut M3
29	10014580	Thermoschalter 70 °C aus	Thermoswitch 70 °C off
30	120005	Unterlegscheibe 3,2 mm	Washer 3,2 mm
33	118005	Flachkopfschraube M4 x 10	Countersunk screw M4 x 10
34	10028335	Doppelflachstecker 6,3 mm	Double plug, 6,3 mm
35	105008	Schraube M3 x 6	Screw M3 x 6
36	10018991	Netzteil 85-264V AC, 100W, 24V DC	Power supply 85-264V AC, 100W, 24V DC
37	10018463	Leistungsplatine für Motor SpaceCombi Team und SpaceCombi Generation 2	Power supply board for motor SpaceCombi Team and SpaceCombi generation 2

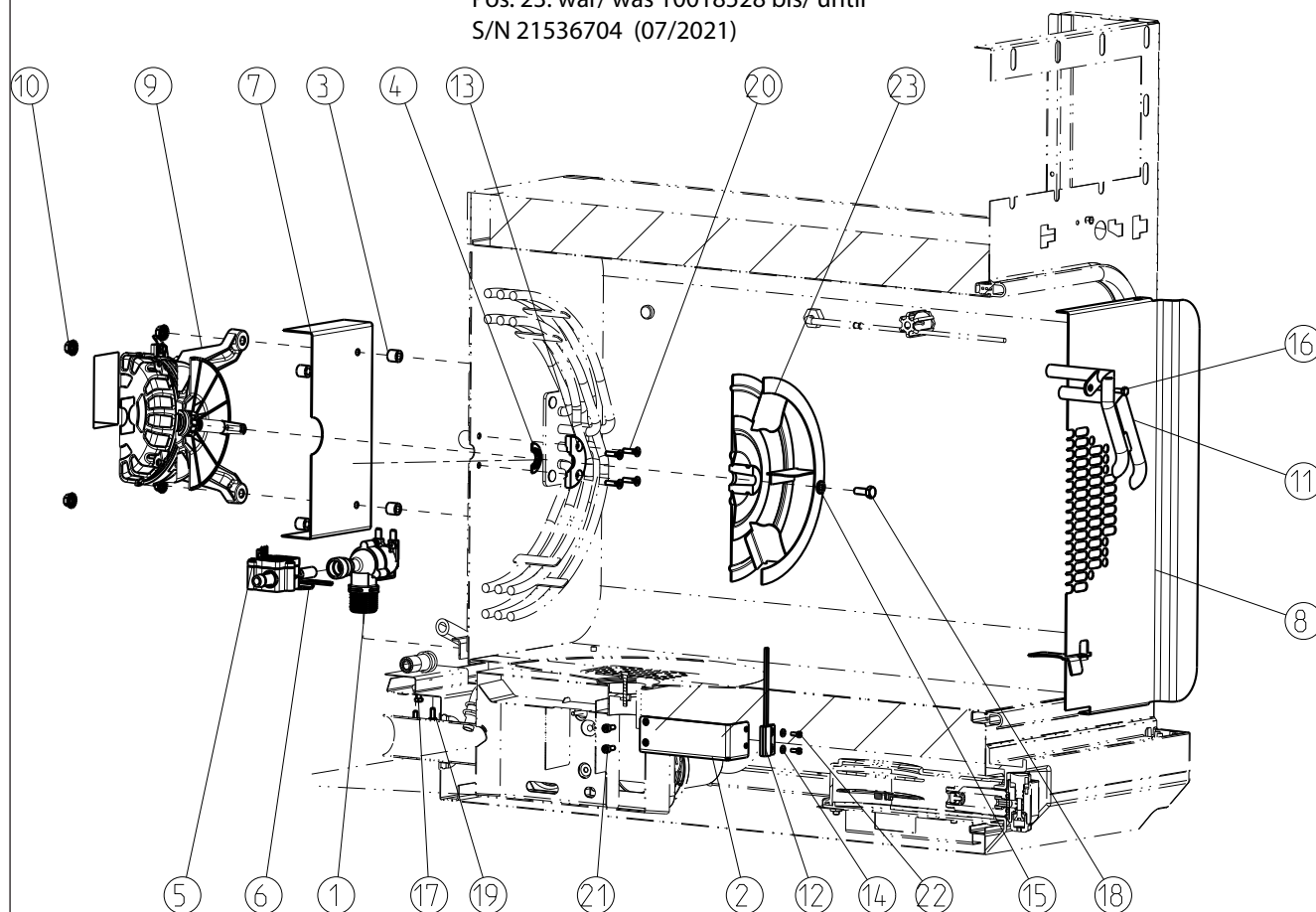
Halbleiterrelais (SSR) über S/N lokalisieren Locate solid state relay (SSR) by S/N part search

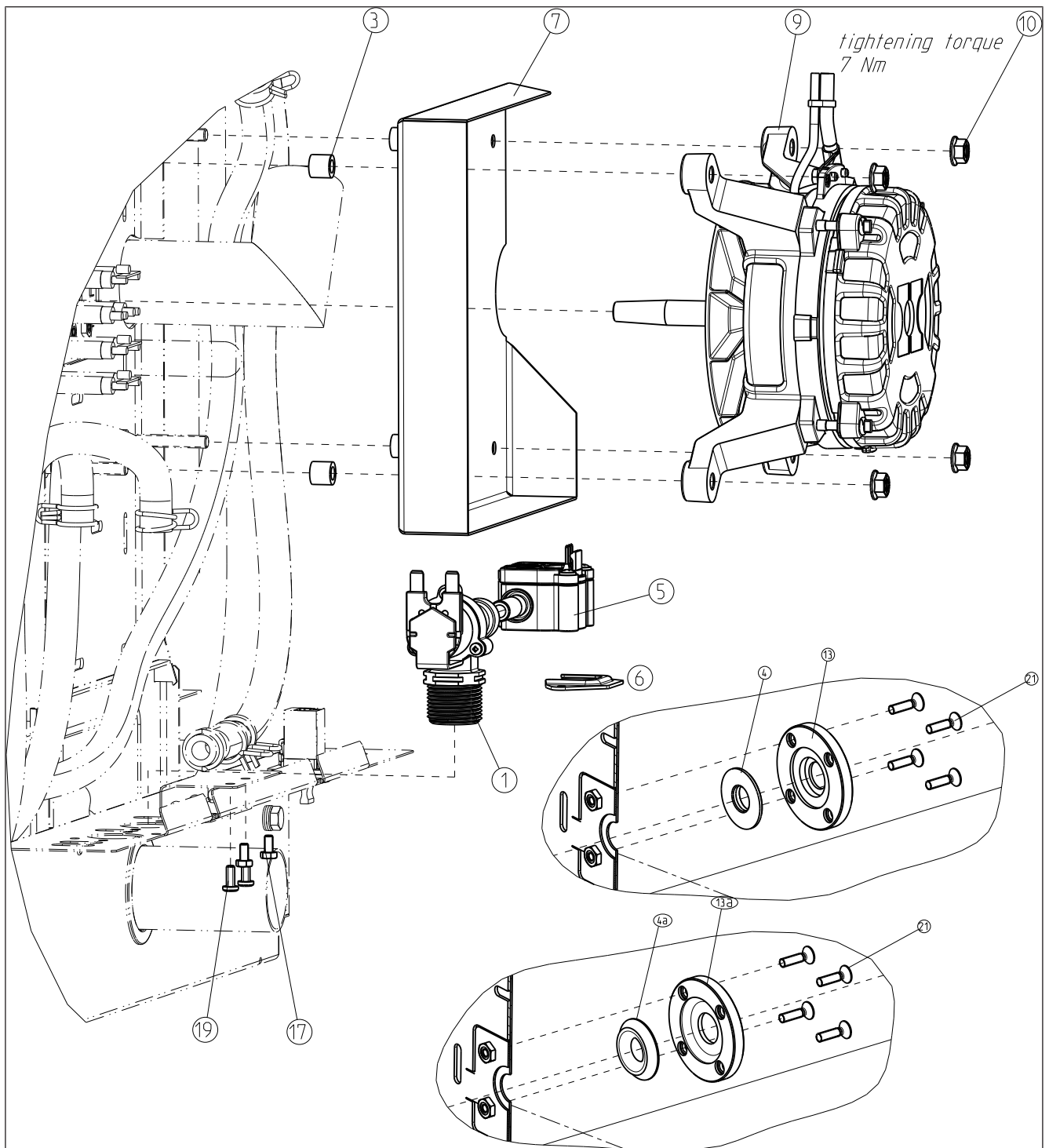
Engine area

MBG 50 MOTOR + DOSIERUNG SKECODG2
10020233--ZM01X B 4.06.2021 1/3

Pos. 4a + 13a: bis/ until S/N 21534189
(05/2021)

Pos. 23: war/ was 10018528 bis/ until
S/N 21536704 (07/2021)

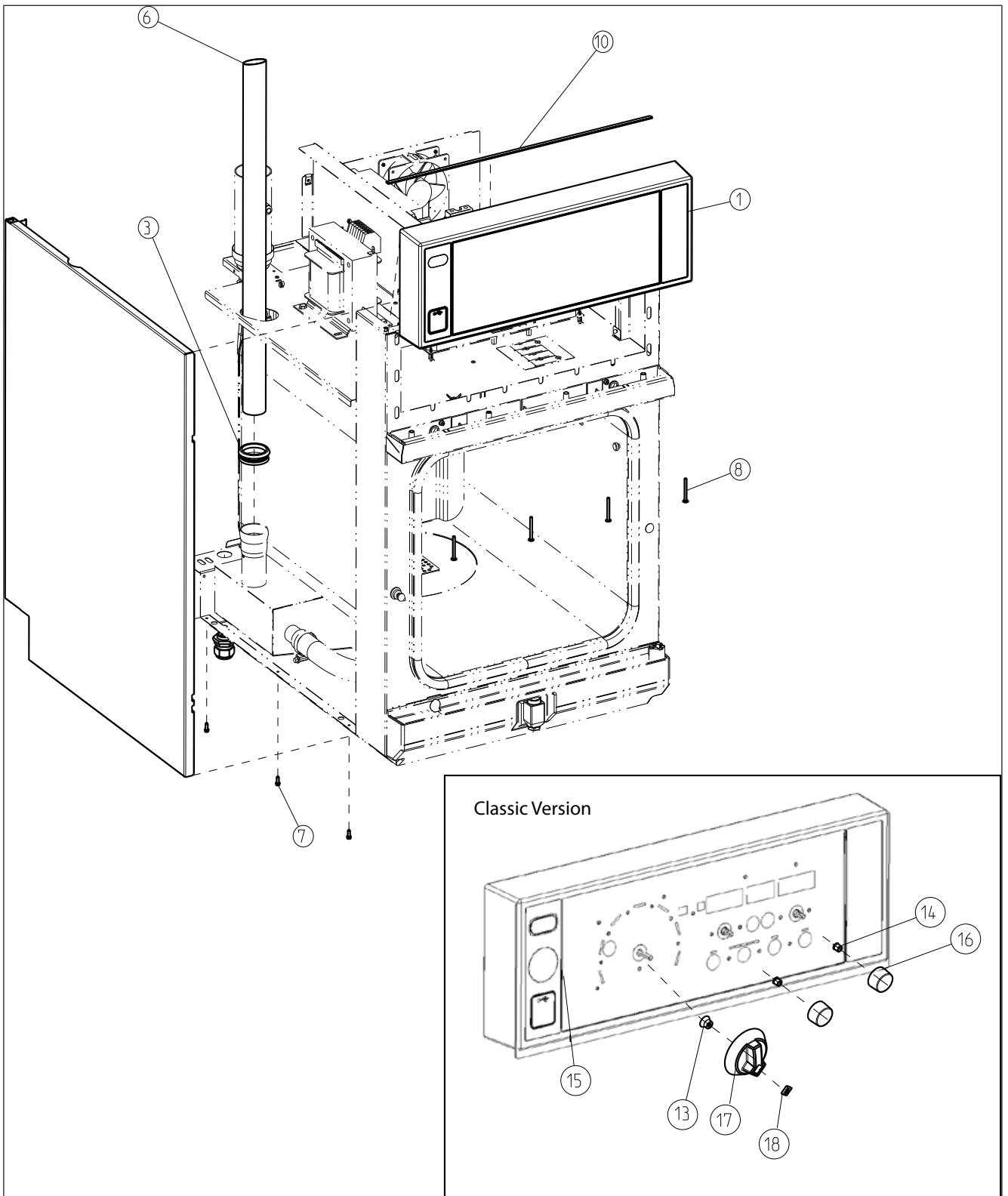




Engine area

Pos.	Art. Nr. Part no.	Deutsch	English
1	10022324	Magnetventil 3/4", 24V DC	Solenoid valve 3/4", 24V DC
2	10022205	Halter Reedkontaktschalter	Reed contact switch holder
3	10015823	Buchse 11 x 6,4	Bushing 11 x 6,4
4	10029110	Motorwellendichtung 17 x 29 - 4,8 mm	Shaft seal 17 x 29 - 4,8 mm
4a	10018526	Motorwellendichtung	Shaft seal
5	10022323	Durchflussmengenmesser 0,15 - 3,8 L/min	Flowmeter 0,15 - 3,8 L/min
6	10021629	Halter Magnetventil	Solenoid valve holder
7	10026236	Schutzbox Motor	Motor cover
8	10019871	Luftleitblech SpaceCombi & Junior Generation 2	Air baffle SpaceCombi & Junior Generation 2
9	10018537	Motor für TKE und SKEG2	Fan motor for TKE and SKEG2
10	116063	Sperrzahn Mutter M6	Catch nut M6
11	10019920	Rohrleitung für Wasserzufuhr	Piping for water inlet
12	10013771	Reedkontaktschalter 200V DC; 0,5A	Reed contact switch 200V DC; 0,5A
13	10028883	Arretierscheibe für Wellendichtung 10029110	Arrest washer for shaft sealing 10029110
13a	10018524	Arretierscheibe für Wellendichtung	Arrest washer for shaft sealing
14	120005	Unterlegscheibe 3,2 mm	Washer 3,2 mm
15	120027	Unterlegscheibe 6,4 mm	Washer 6,4 mm
16	101412	Sechskantschraube M4 x 10	Hexagon screw M4 x 10
17	101127	Sechskantschraube M4 x 8	Hexagon screw M4 x 8
18	101408	Sechskantschraube M6 x 16	Hexagon screw M6 x 16
19	10014327	Kunststoffschraube TORX M4 X 10	Plastic screw LI TORX M4 X 10
20	10021548	Torx-Schraube M4 x 16	torx screw M4 x 16
21	102015	Innensechskant-Zylinderkopfschraube M4 X 10	Hexagon socket screw M4 X 10
22	105101	Zylinderkopfschraube M3 X 8 A Schlitz	Cylinder head screw M3 X 8 A slit
23	10029463	Lüfterrad 200mm Durchmesser (43mm tief)	Fan wheel 200mm diameter (43mm depth)

Operating panel - with plastic frame (until 2025)

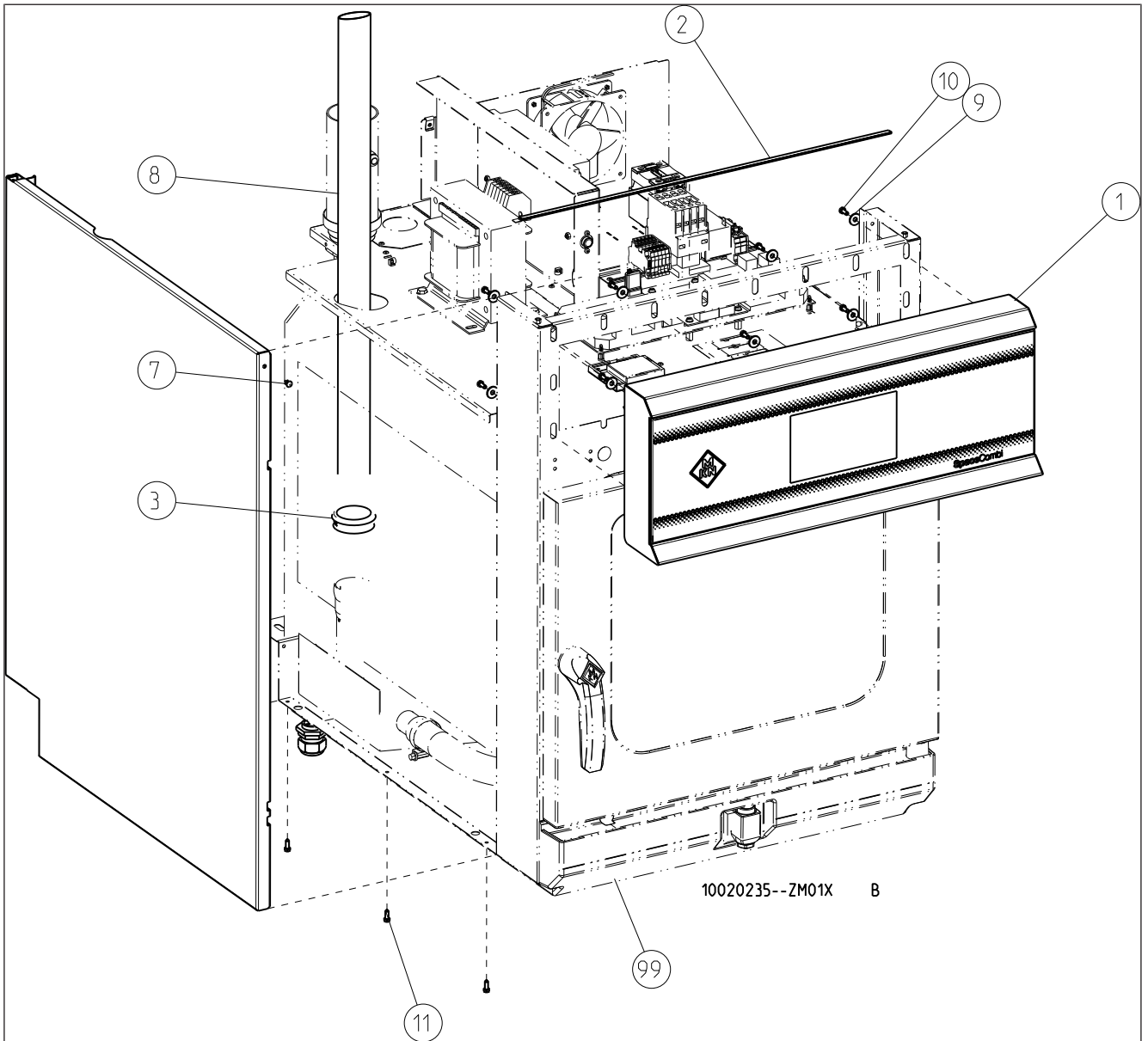


FM08-975B

Operating panel - with plastic frame (until 2025)

Art. Nr. Part no.	Deutsch	English
10011866	Ringdichtung für Rohr DN 40	Ring seal for DN 40 pipe
10014792	Abluftrohr, 63cm	Exhaust pipe, 63cm
10016690	Lautsprecher, 50mm, 2W	Speaker, 50mm, 2W
10017745	Profildichtung 8 x 8 (Meterware)	Profile Gasket 8 x 8
10020221	Bedieneinheit SpaceSaver	Operation panel SapceSaver
10020733	Schraube 6Kt 4.2 x 13	Hexagon screw
10022446	Flachkopfschraube Schlitz M4 x 40	Flat head screw M4 x 40

Operating panel - with stainless steel frame (from 2025)

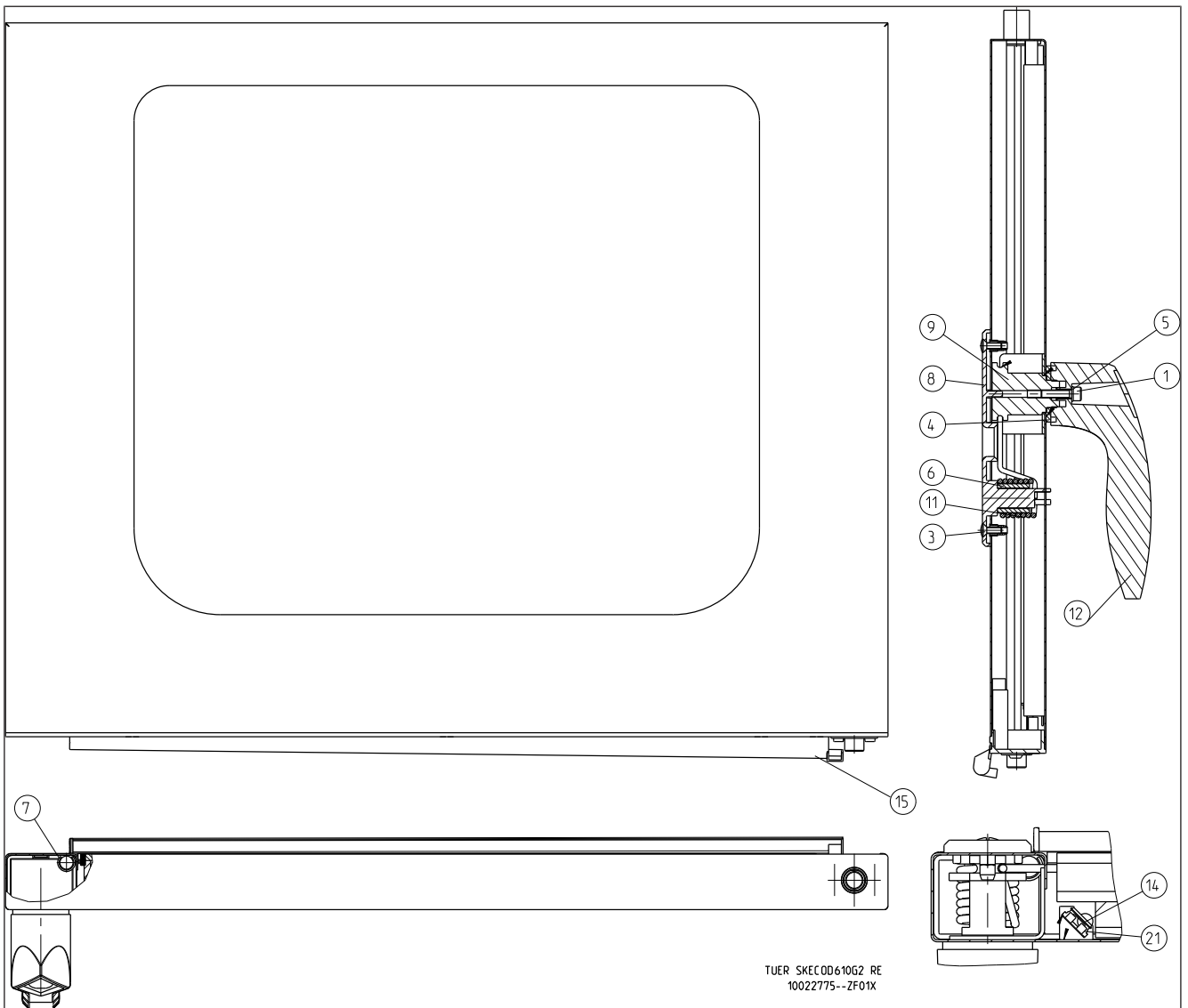


FM08-975B

Operating panel - with stainless steel frame (from 2025)

Pos.	Art. Nr. Part no.	Deutsch	English
1	10040176	Bedienpanel SpaceSaver (Touch) G2	Operation panel SpaceSaver (Touch) G2
2	10017745	Profildichtung 8 x 8 (Meterware)	Profile Gasket 8 x 8
3	10011866	Ringdichtung für Rohr DN 40	Ring seal for DN 40 pipe
4	203778	Kabelverschraubung M20	Cable screw fitting M20
5	203728	Kabelverschraubung komplett M25 9-17	Cable screw fitting, complete M25 9-17
7	208087	Spreizniete HR 4 X 7.5 4.5-5.5	body-bound rivet HR 4 X 7.5 4.5-5.5
8	10014792	Abluftrohr, 63cm	Exhaust pipe, 63cm
9	120029	Unterlegscheibe 5,3 mm	Washer 5,3 mm
10	101412	Sechskantschraube M4 x 10	Hexagon screw M4 x 10
11	10020733	Schraube 6Kt 4.2 x 13	Hexagon screw
12	203452	Zentriertülle für 20,4 mm Durchmesser	Centre nozzle for 20,4 mm diameter

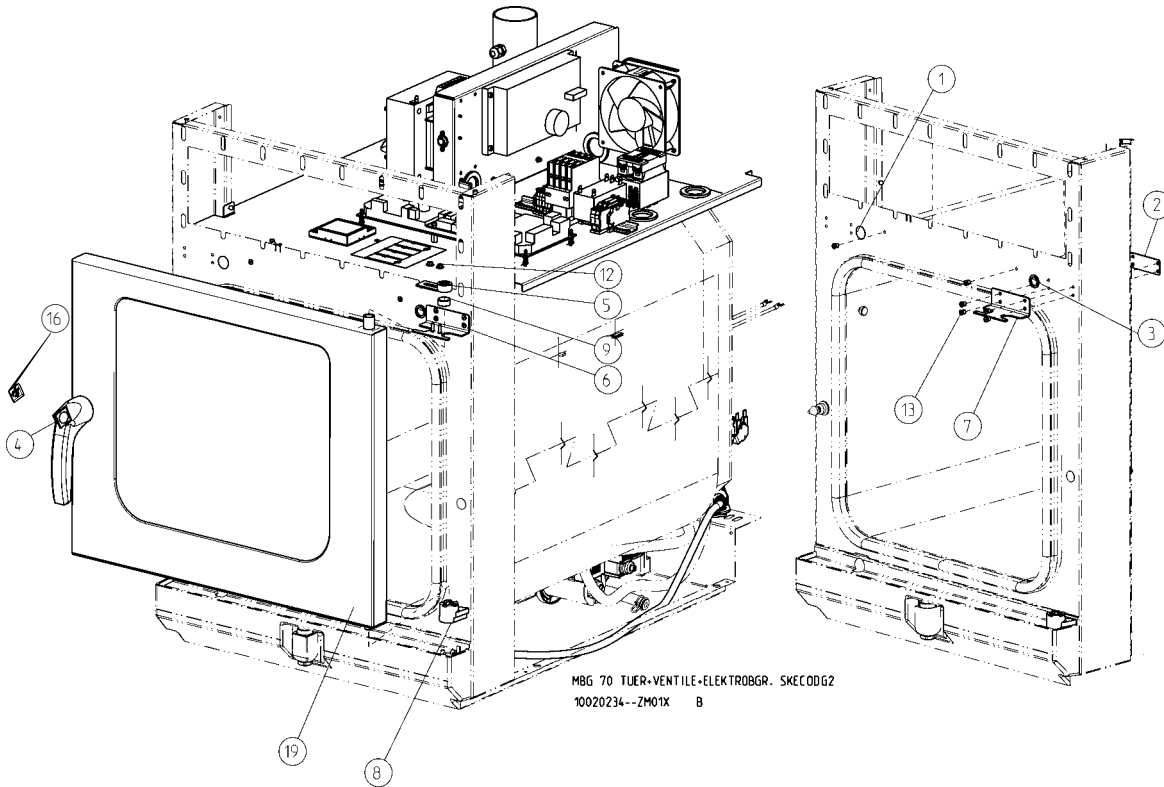
Cooking chamber door and fastening



Cooking chamber door and fastening

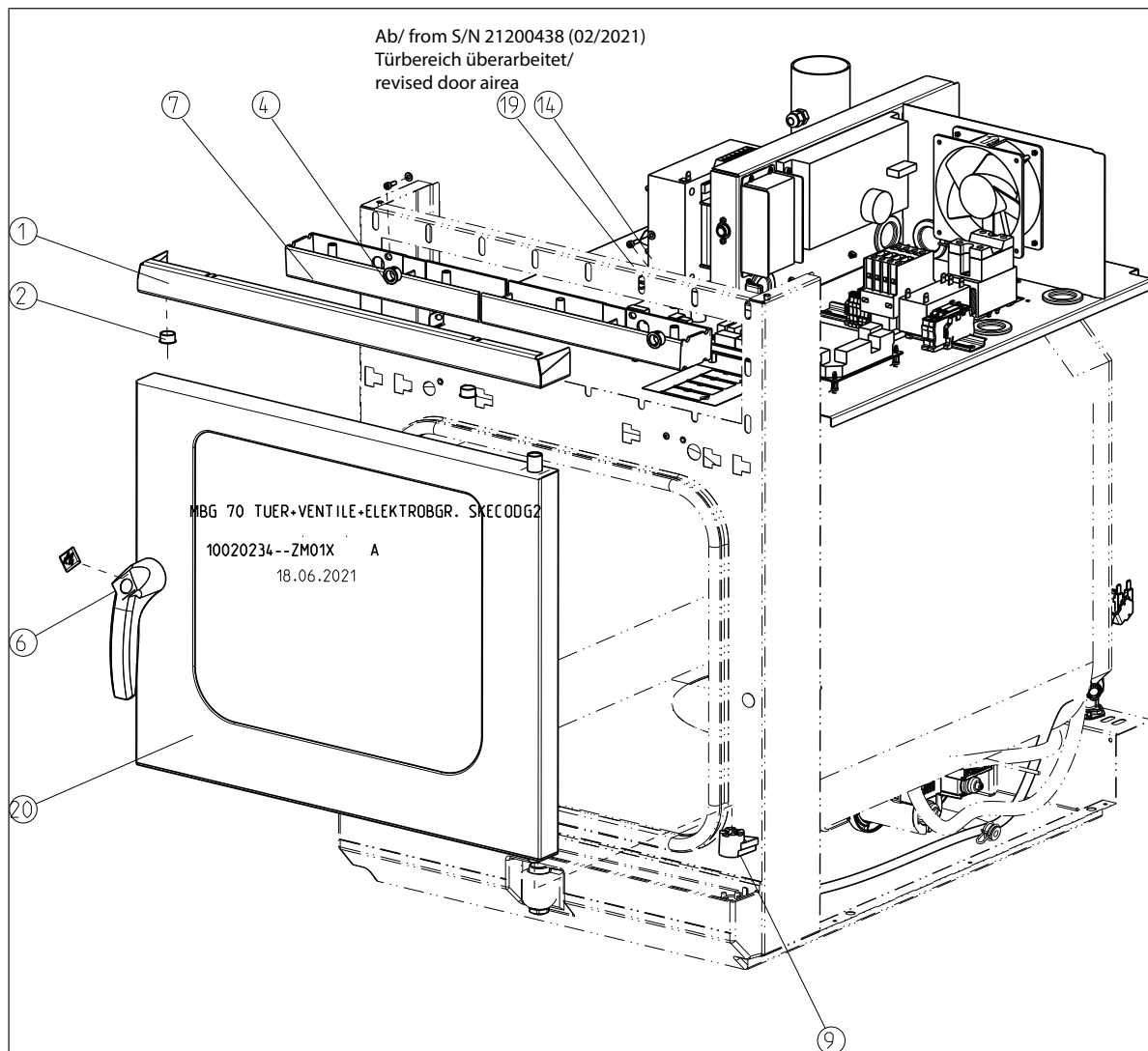
Pos.	Art. Nr. Part no.	Deutsch	English
1	120010	Unterlegscheibe 17,2 mm	Washer 17,2 mm
5	121032	Federring, 5 mm	Lock washer, 5 mm
6	202755	Abstandsrolle 16 x 12,5 mm	Distance bush 16 x 12,5 mm
7	203032	Magnet; 32 mm lang; Durchmesser 8,2 mm	Magnet; 32 mm long; 8,2 mm diameter
8	203737	Abdeckkappe Türverschluß HD Junior / Compact	Cover cap door lock HD Junior / Compact
9	207101	Exzenter für Türverschluß Junior / Compct	Exzenter for door lock Junior / Compct
11	216156	Schenkelfeder für Türverschluß Junior / Compact	Leg spring for door lock Junior / Compact
12	10014054	Türgriff SpaceCombi	Door handle SpaceCombi
14	10018563	Diffusor für LED-Band	Diffuser for led stripe
15	10019416	Untere Türabdeckung 623 / 610 rechtsanschlag	Bottom door plastic cover 623 / 610 right hinged
15	10019417	Untere Türabdeckung 623 / 610 linksanschlag	Bottom door plastic cover 623 / 610 left hinged
21	10040141	LED-Band für Garraumtür 10040071, 10040072	LED strip for cabinet door 10040071, 10040072
21	10040102	LED-Band Umbausatz für Tür 10019699, 10019701, 10022775, 10022777	LED strip retrofit kit for door 10019699, 10019701, 10022775, 10022777

Ab 10/2025 - Bei Bedienblende mit Edelstahlrahmen
 From 10/2025 – for operation panels with stainless steel frame

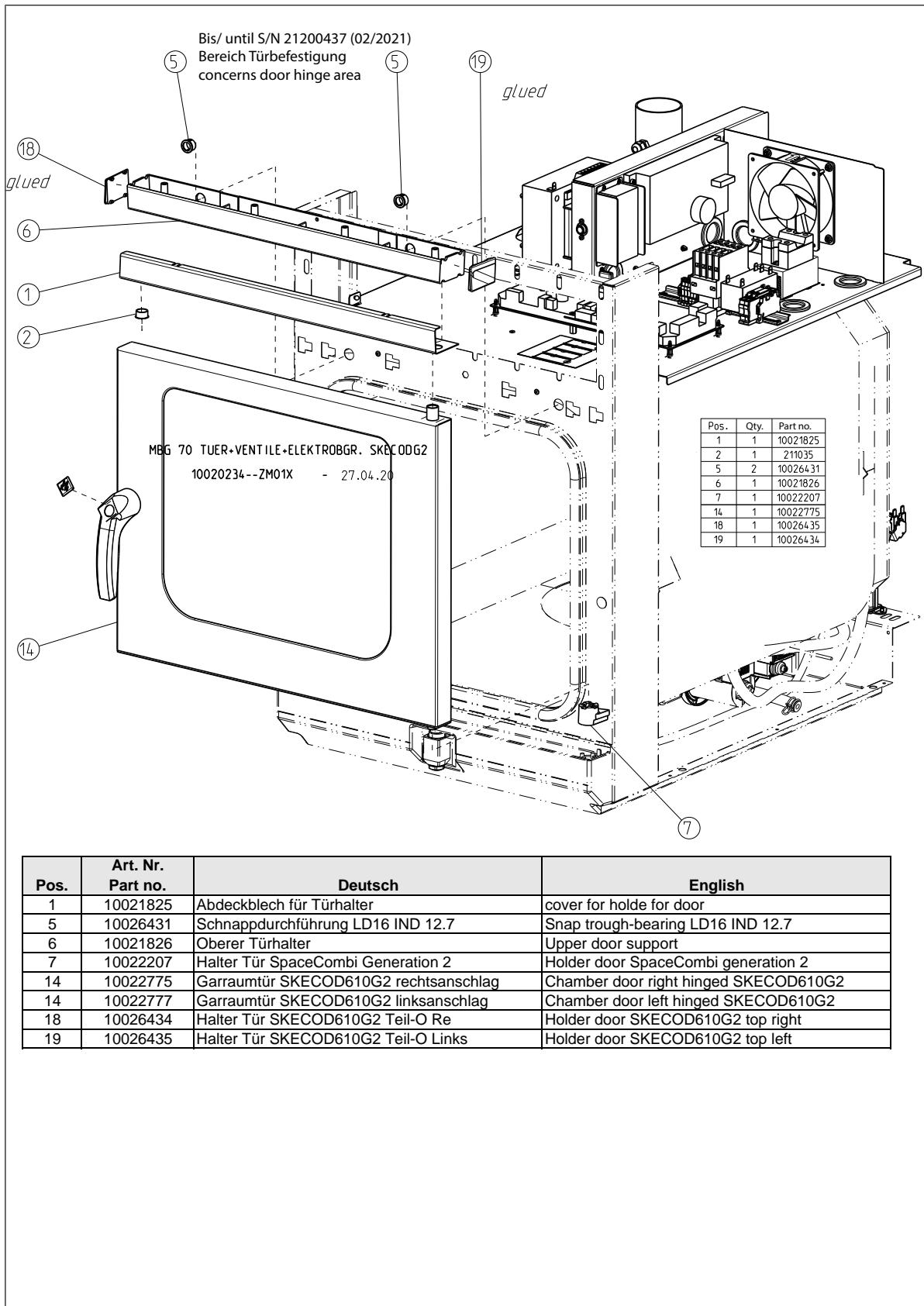


Pos.	Art. Nr. Part no.	Deutsch	English
1	211035	Abdeckkappe 16 mm Durchmesser	Cover cap 16 mm diameter
2	10037406	Halteplatte	Mounting bracket
3	10026431	Schnappdurchführung LD16 IND 12.7	Snap trough-bearing LD16 IND 12.7
4	10014054	Türgriff SpaceCombi	Door handle SpaceCombi
5	10023061	Türlager, oben	Door bearing, top
6	10037406	Halteplatte	Mounting bracket
7	10037405	Oberer Türhalter	Upper door support
8	10022207	Halter Tür SpaceCombi Generation 2	Holder door SpaceCombi generation 2
9	10023114	Buchse 18 X 16 - 8	Bushing 18 X 16 - 8
12	116044	Sicherungsmutter M4	Lock nut M4
13	208006	Blindniete	Rivet
16	209295	Klebeschild MKN-Raute; 20 mm; blau	Label MKN-rue; 20 mm; blue
19	10040071	Garraumtür SKE G2/ TKE mit LED, rechtsanschlag	Cabinet door SKE G2/TKE with LED, right hinged
19	10040072	Garraumtür SKE G2/ TKE mit LED, linksanschlag	Cabinet door SKE G2/TKE with LED, left hinged

Cooking chamber door and fastening

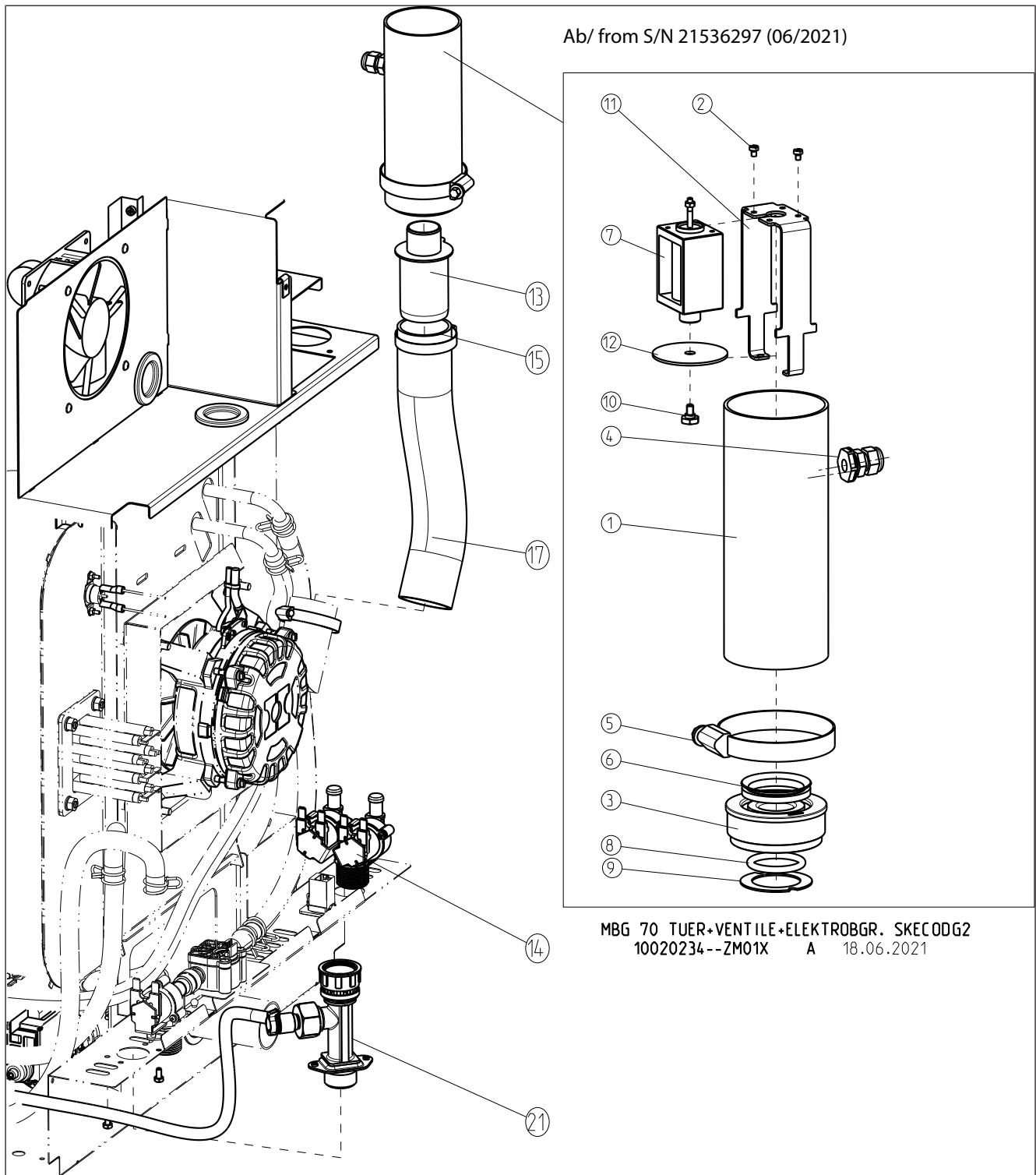


Pos.	Art. Nr. Part no.	Deutsch	English
1	10029548	Abdeckblech für Türhalter	cover for holde for door
2	211035	Abdeckkappe 16 mm Durchmesser	Cover cap 16 mm diameter
4	10026431	Schnappdurchführung LD16 IND 12.7	Snap trough-bearing LD16 IND 12.7
6	10014054	Türgriff SpaceCombi	Door handle SpaceCombi
7	10031789	Oberer Türhalter	Upper door support
9	10022207	Halter Tür SpaceCombi Generation 2	Holder door SpaceCombi generation 2
14	10019417	Untere Türabdeckung 623 / 610 linksanschlag	Bottom door plastic cover 623 / 610 left hinged
19	102006	Innensechskant-Zylinderkopfschraube M4 x 12	Hexagon socket screw M4 x 12
20	10022775	Garraumtür SKECOD610G2 rechtsanschlag	Chamber door right hinged SKECOD610G2
20	10022777	Garraumtür SKECOD610G2 linksanschlag	Chamber door left hinged SKECOD610G2
21	10030700	Verteilerstück für Schlauchaufroller	Distributor for tube carrier

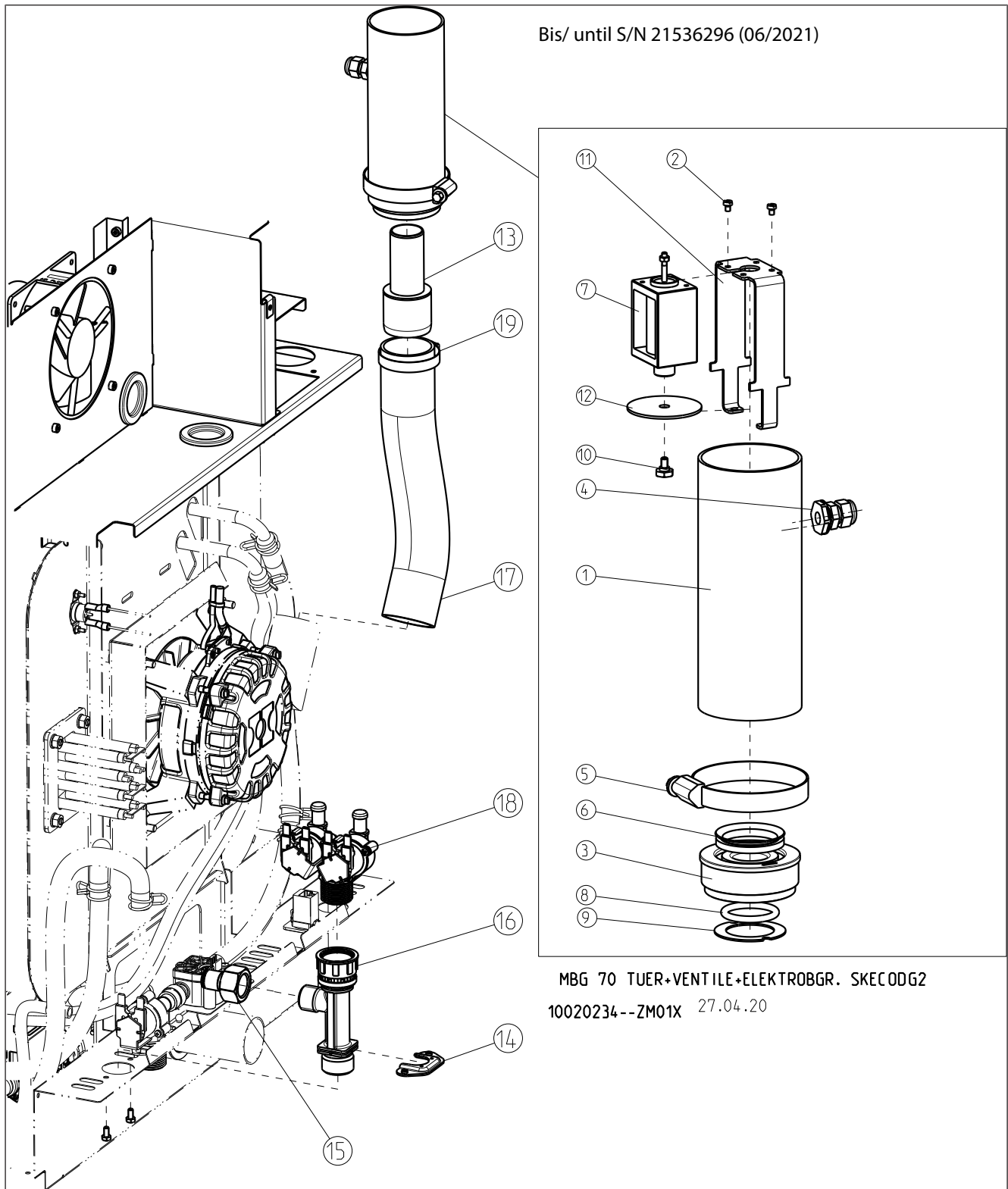


Pos.	Art. Nr. Part no.	Deutsch	English
1	10021825	Abdeckblech für Türhalter	cover for holde for door
5	10026431	Schnappdurchführung LD16 IND 12.7	Snap trough-bearing LD16 IND 12.7
6	10021826	Oberer Türhalter	Upper door support
7	10022207	Halter Tür SpaceCombi Generation 2	Holder door SpaceCombi generation 2
14	10022775	Garraumtür SKECOD610G2 rechtsanschlag	Chamber door right hinged SKECOD610G2
14	10022777	Garraumtür SKECOD610G2 linksanschlag	Chamber door left hinged SKECOD610G2
18	10026434	Halter Tür SKECOD610G2 Teil-O Re	Holder door SKECOD610G2 top right
19	10026435	Halter Tür SKECOD610G2 Teil-O Links	Holder door SKECOD610G2 top left

Air intake area

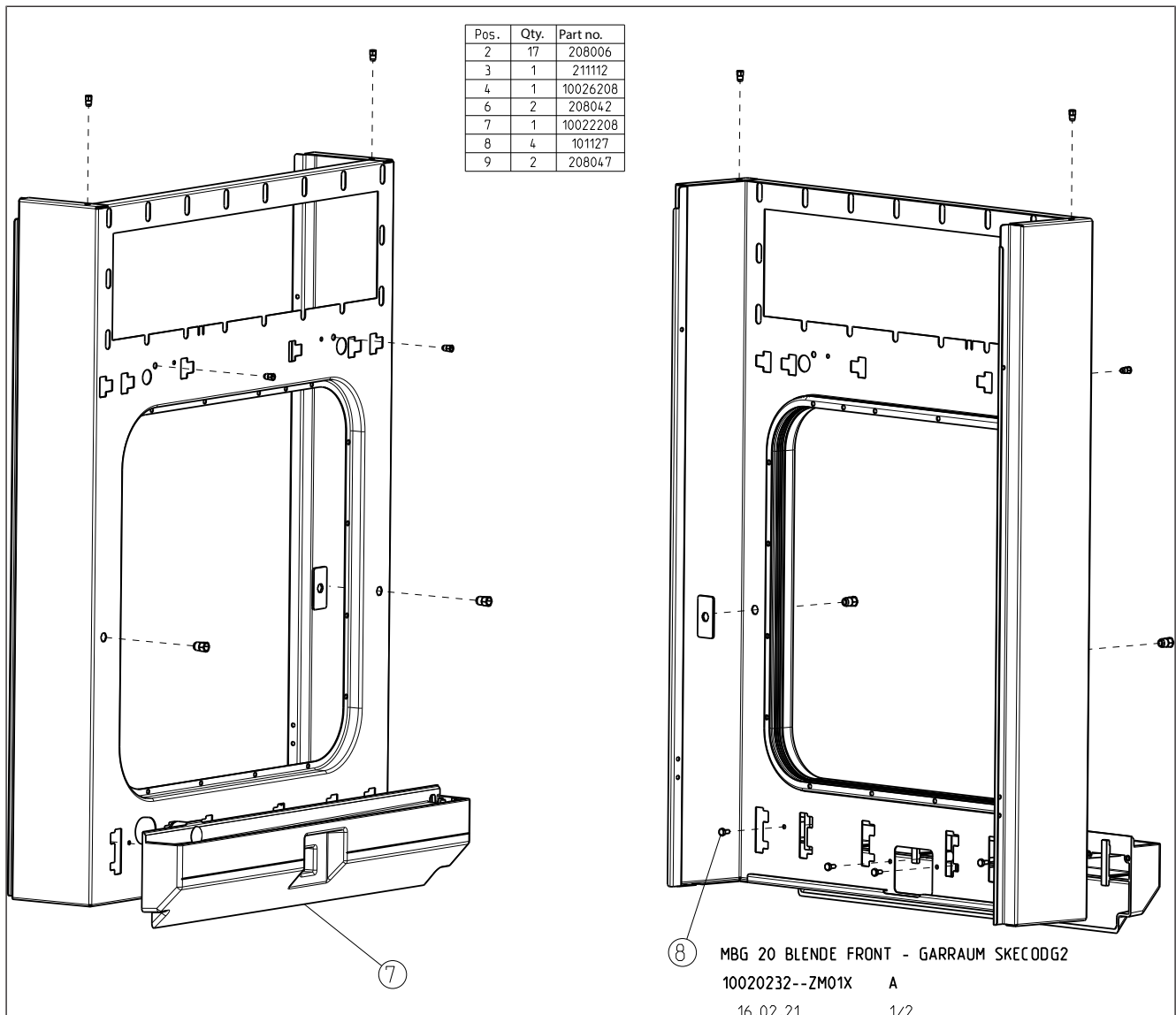


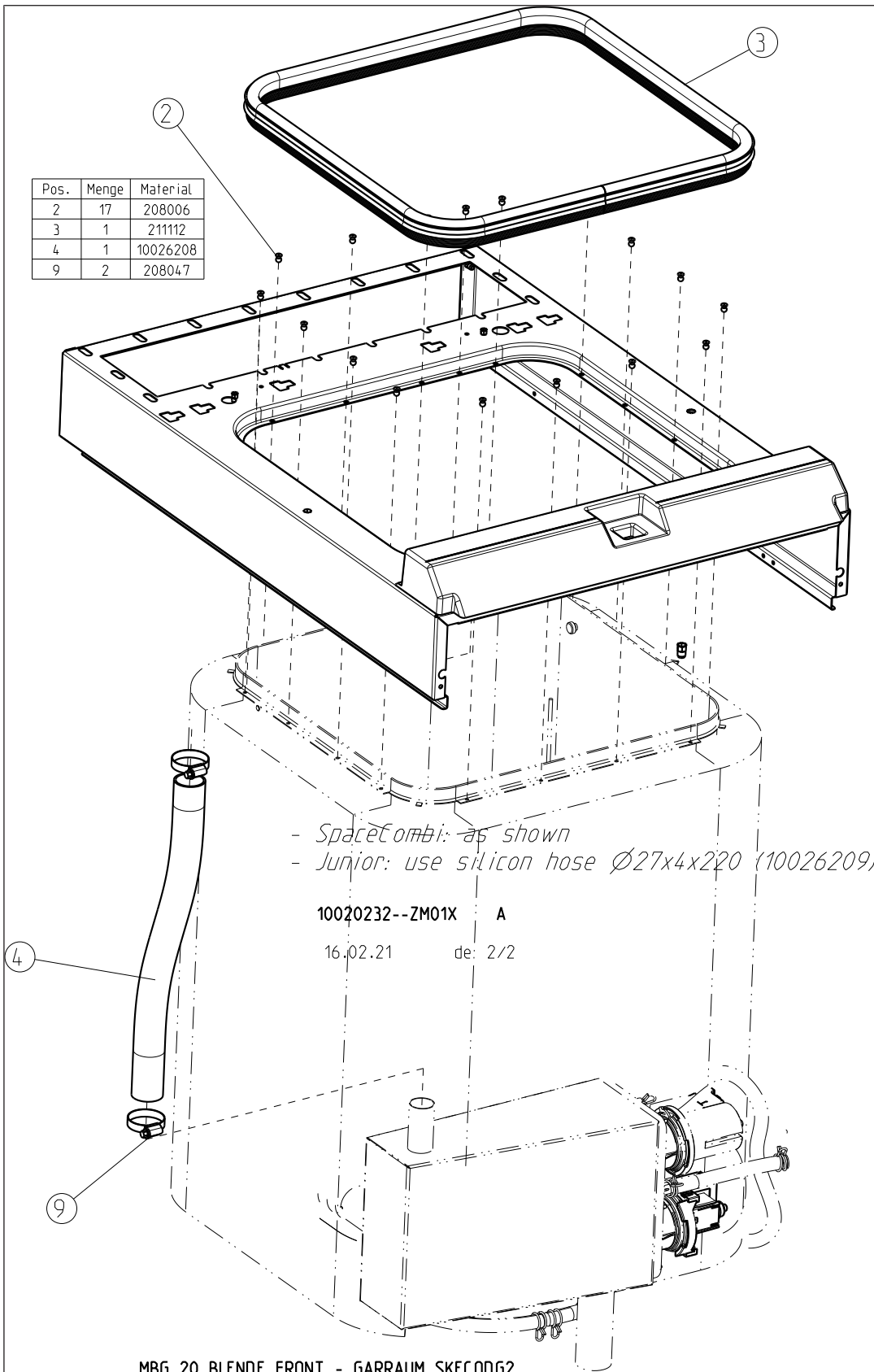
Pos.	Art. Nr. Part no.	Deutsch	English
1	050015	Silikonschlauch 60 x 2 mm (Meterware)	Silicon hose 60 x 2 mm (meter ware)
2	105002	Zylinderkopfschraube geschlitz M3 x 4	Hexagon socket screw M3 x 4
3	201219	Abdeckkappe für Belüfter	Cover cap for fresh air pipe
4	203727	Kabelverschraubung PG 7	Cable screw fitting PG 7
5	208065	Schlauchschele 50 - 70 mm	Hose clip 50 - 70 mm
6	211080	Ringdichtung 34 x 42 - 7,5 mm	Ring seal 34 x 42 - 7,5 mm
7	10022051	Hubmagnet; 24V DC	lift magent; 24V DC
8	211159	Ringdichtung 28 x 4 mm	Ring seal 28 x 4 mm
9	945509	Arretierscheibe für Belüfter	Arrest washer for fresh air pipe
10	10013615	Sechskantschraube M4 x 6	hexagon head screw M4 x 6
11	10013675	Halter für Hubmagnet	Holder for lift magnet
12	10013676	Unterlegscheibe 6,2mm	Washer 6,2mm
13	10022385	Übergang Zuluftrohr	Changeover pipe fresh air
14	201192	Magnetventil 3/4"; 230 V	Solenoid valve 3/4"; 230 V
14	10026248	Doppelmagnetventil 3/4", 230V	Double solenoid valve 3/4", 230V
15	208038	Schlauchschele 40-60 mm	Hose clip 40-60 mm
17	10030856	Zuluftschlauch, 245 mm lang SKE G2	Fresh air hose, 245 mm length, SKEG2
21	10030700	Verteilerstück für Schlauchaufroller	Distributor for tube carrier



Pos.	Art. Nr. Part no.	Deutsch	English
1	050015	Silikonschlauch 60 x 2 mm (Meterware)	Silicon hose 60 x 2 mm (meter ware)
2	105002	Zylinderkopfschraube geschlitz M3 x 4	Hexagon socket screw M3 x 4
3	201219	Abdeckkappe für Belüfter	Cover cap for fresh air pipe
3	10022385	Übergang Zuluftrohr	Changeover pipe fresh air
4	203727	Kabelverschraubung PG 7	Cable screw fitting PG 7
5	208065	Schlauchschele 50 - 70 mm	Hose clip 50 - 70 mm
6	211080	Ringdichtung 34 x 42 - 7,5 mm	Ring seal 34 x 42 - 7,5 mm
7	10022051	Hubmagnet; 24V DC	lift magnet; 24V DC
8	204532	Halter für Magnetventil	Holder for solenoid valve
8	211159	Ringdichtung 28 x 4 mm	Ring seal 28 x 4 mm
9	201192	Magnetventil 3/4"; 230 V	Solenoid valve 3/4"; 230 V
9	945509	Arretierscheibe für Belüfter	Arrest washer for fresh air pipe
9	10026248	Doppelmagnetventil 3/4", 230V	Double solenoid valve 3/4", 230V
10	10013615	Sechskantschraube M4 x 6	hexagon head screw M4 x 6
11	10013675	Halter für Hubmagnet	Holder for lift magnet
12	208038	Schlauchschele 40-60 mm	Hose clip 40-60 mm
12	10013676	Unterlegscheibe 6,2mm	Washer 6,2mm
15	10017616	Schlauchverschraubung G1/2" I - 10/7	Screwing hose G1/2" I - 10/7
16	205293	Verteilerstück 2 x 3/4"; 1/2"	Distributor 2 x 3/4"; 1/2"
17	10026259	Zuluftschlauch SKE G2 300 mm lang	Fresh air hose SKE G2 300 mm long

Front area



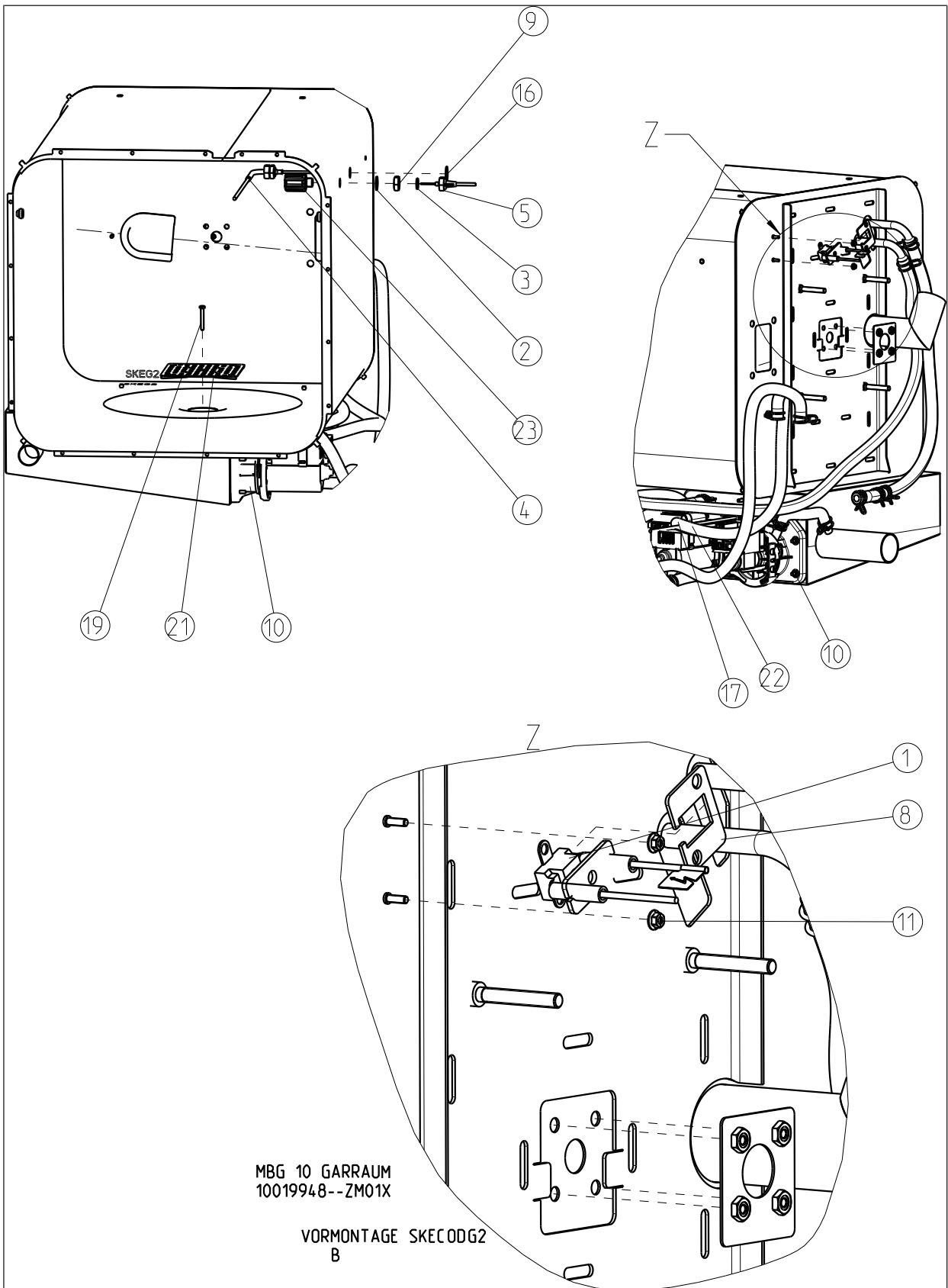


FM08-975B

Front area

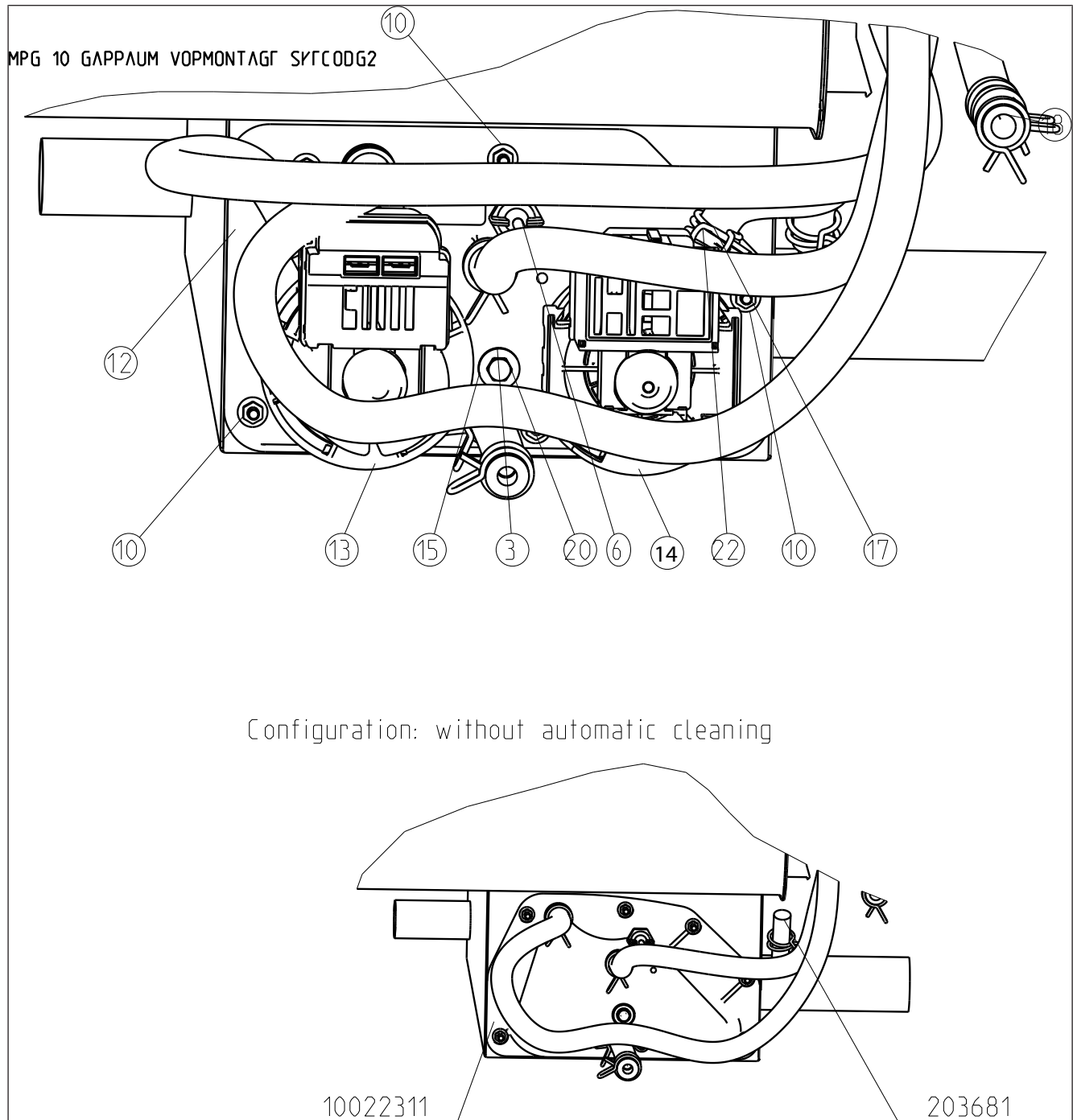
Art. Nr. Part no.	Deutsch	English
101127	Sechskantschraube M4 x 8	Hexagon screw M4 x 8
208006	Blindniete	Rivet
208042	Mutter Blindniet M6 0.5-3	Nut screw blind rivets M6 0.5-3
208047	Schlauchschelle 24 - 36 mm	Hose clip 24 - 36 mm
211112	Türdichtung Combidämpfer 6.23 / 6.10	Door gasket Combisteamer 6.23 / 6.10
10022208	Auffangwanne, Türanschlag rechts	Collecting tray, right hinged door
10022564	Auffangwanne Türanschlag links	Collecting tray, left hinged door
10026208	Silikonschlauch, 395 mm lang	Silicon hose, 395 mm length

Cooking chamber and cleaning system



FM08-975B

Cooking chamber and cleaning system



Pos.	Art. Nr. Part no.	Deutsch	English
1	202807	Sicherheitstemperaturbegrenzer 330 °C CombiDämpfer 6.23	Safety Limit switch 330 °C for cpmni Steamer 6.23
2	214009	Flachringdichtung 12 x 19 - 1 mm	Flat ring seal 12 x 19 - 1 mm
3	10019583	Flachringdichtung 5.2X15-1.6	Flat ring seal 5.2X15-1.6
4	10026101	Kerntemperaturfühler Space Combi G2 (Classic, 1-Punkt-Fühler)	Core temperatur probe Space Combi G2 (Classic, 1- Point-Probe)
4	10026102	Kerntemperaturfühler Space Combi G2 (MP, 4- Punkt-Fühler)	Core temperature probe Space Combi G2 (MP, 4- Point-Probe)
5	10022881	Garraumfühler	Chamber probe
6	10019980	Temperaturfühler SpaceCombi Generation 2 (Wrasen)	Temperature probe SpaceCombi Generation 2 (drain probe)
8	867119	Befestigungsprofil für Sicherheitstemperaturbegrenzer	Bracket for safety limit switch
9	113097	Sechskantmutter M12; flach	Hexagon nut M12; flat
10	116044	Sicherungsmutter M4	Lock nut M4
11	116060	Sperrzahnmutter M3	self locking nut M3
12	10021933	Pumpenset mit Flanschplatte SKEG2, 208- 240V, 50Hz	Cleaning pump set with flange, 208-240V, 50Hz
12	10026629	Pumpenset mit Flanschplatte SKEG2, 208- 240V, 60Hz	Cleaning pump set with flange, 208-240V, 60Hz
13	10022590	Pumpe 230V, 50Hz, WaveClean Pumpe	Pump 230V, 50Hz, WaveClean pump
13	10026583	Pumpe 230V, 60Hz, WaveClean Pumpe	Pump 230V, 60Hz, WaveClean pump
14	10022587	Pumpe 230V, 50Hz, Siphon Pumpe	Pump 230V, 50Hz, drain pump
14	10026582	Pumpe 230V, 60Hz, Siphon Pumpe	Pump 230V, 60Hz, drain pump
15	120029	Unterlegscheibe 5,3 mm	Washer 5,3 mm
16	121210	Zahnscheibe 12,5 mm	Lock washer 12,5 mm
17	10014176	Spannschlauchschelle Y 15.9-16.8	assembling faceplate Y 15.9-16.8
18	10022096	Schlauch Set SKEG2	Hose kit SKEG2
19	101121	Sechskantschraube M4 x 30	Hexagon screw M4 x 30
20	101125	Sechskantschraube M5 x 10	Hexagon screw M5 x 10
21	10017412	Sieb für Garraumablauf SKECOD623	sieve for drain (steaming chamber)
22	10030129	Schlauchstopfen für Pumpe	Plug hose for pump
23	10022864	Schutzkorb für Garraumfühler	Protection basket for chamber probe

Cooking chamber and heating

MBG LD BODEN-GRUND - GARRAUM-SKECODG2
10019947--ZM01X A 24.04.20 1/2

SKEBZ

tightening torque
1,5 Nm

tightening torque
7 Nm

Z
2,5

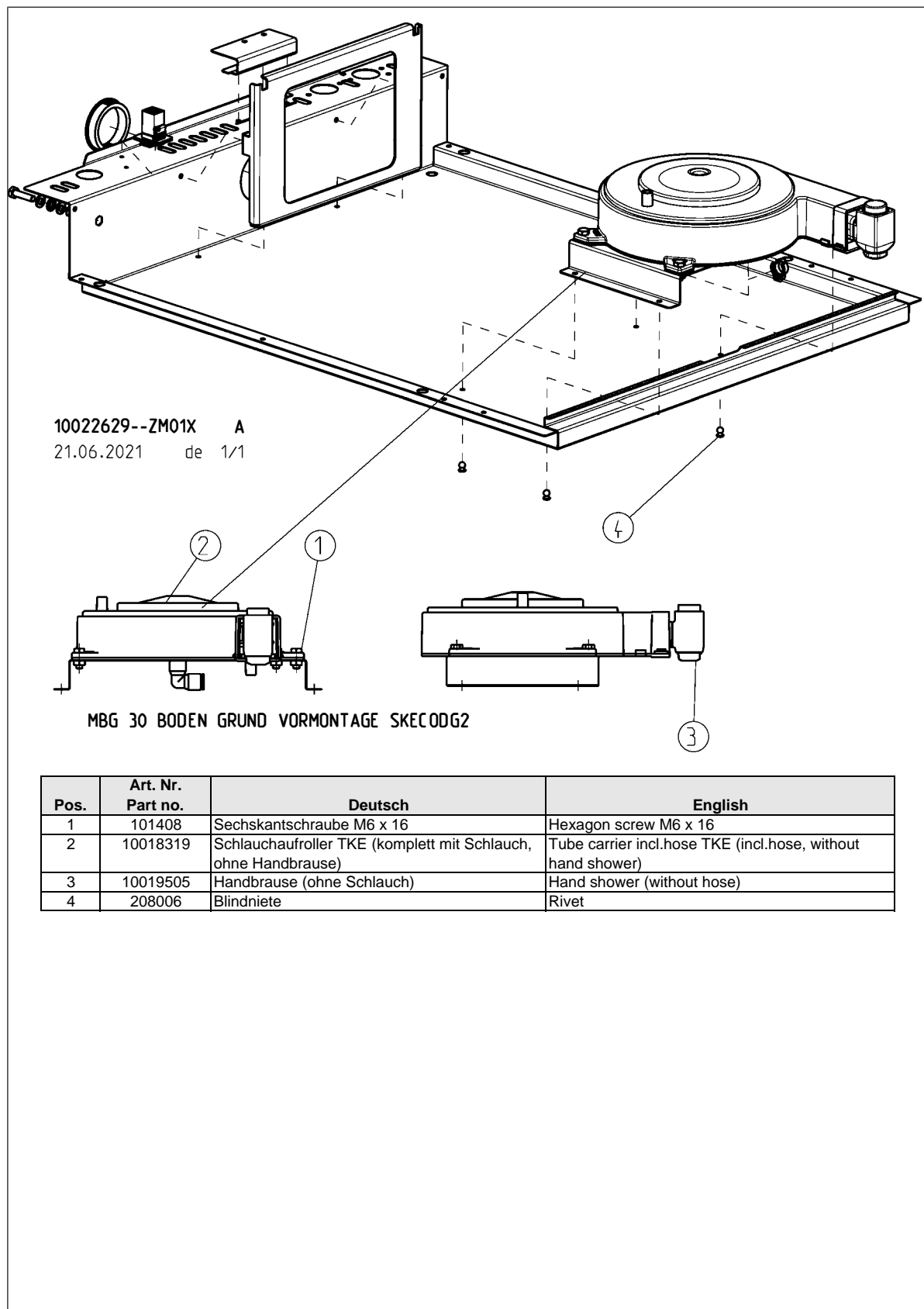
tightening torque
5 Nm

- different heating elements (Pos. 9): acc. to order form
- hand shower: do not use cover hand shower (Pos. 3)

Pos.	Art. Nr. Part no.	Deutsch	English
2	211158	Gleiter Abdeckkappe LD 5 Stopfen	Cover cap, square, LD 5
3	10022206	Abdeckung	Cover
4	211164	Flachdichtung 70 x 90 - 1 mm für Rohrheizkörper	Flat seal 70 x 90 - 1 mm for heating element
5	211166	Dichtungskappe Kloben HDECOD623	Seal cap HDECOD623 KLOBEN
6	113091	Sechskantmutter M6	Hexagon nut M6
7	116055	Hutmutter M4	Cap nut M4
9	120027	Unterlegscheibe 6,4 mm	Washer 6,4 mm
10	120030	Unterlegscheibe 6,4 mm	Washer 6,4 mm
11	207103	Verschlusskloben Combidämpfer Junior-Compact	Door catch Combisteamer Junior-Compact

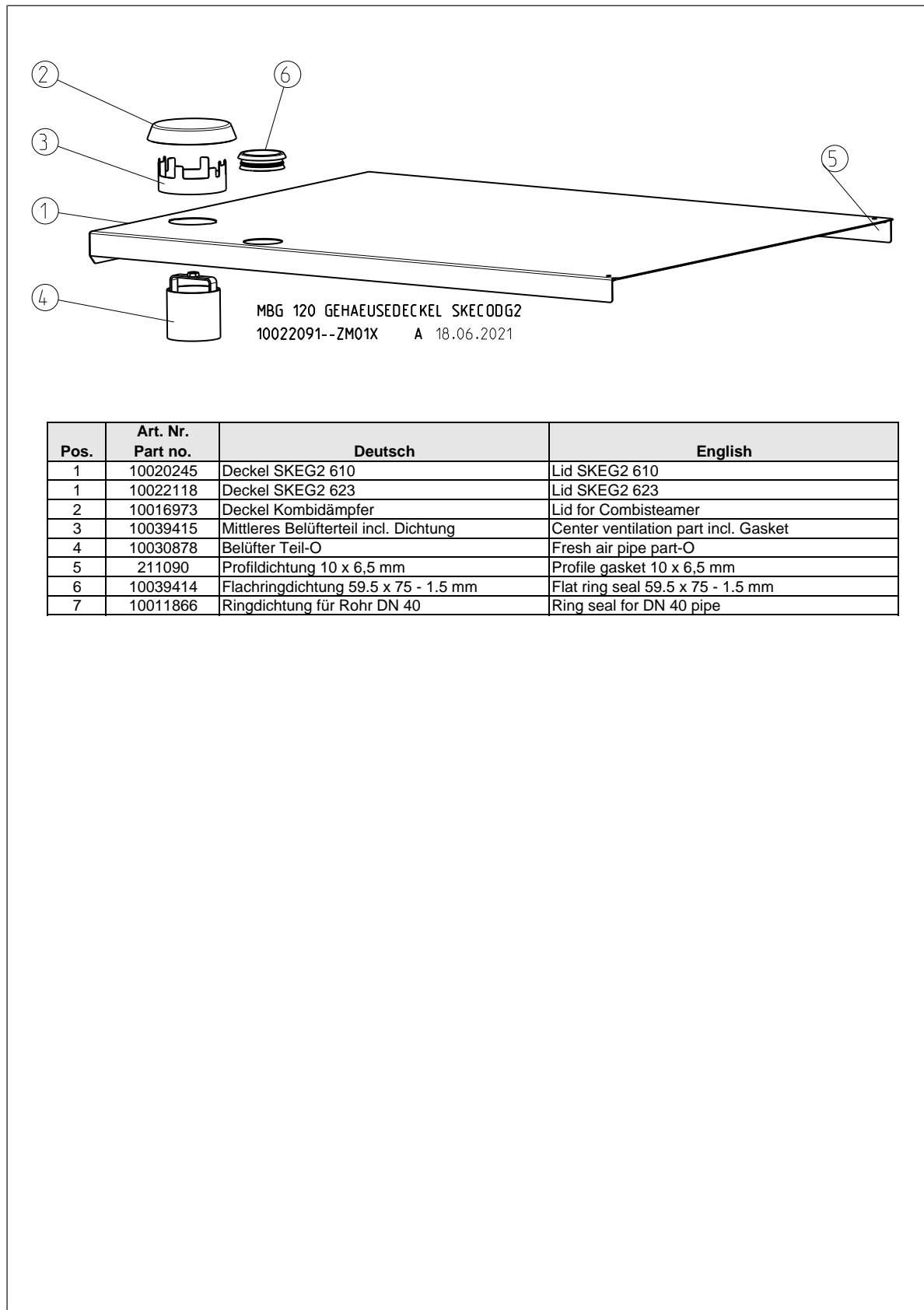
Heizelement über S/N lokalisieren Locate heating element by S/N part search

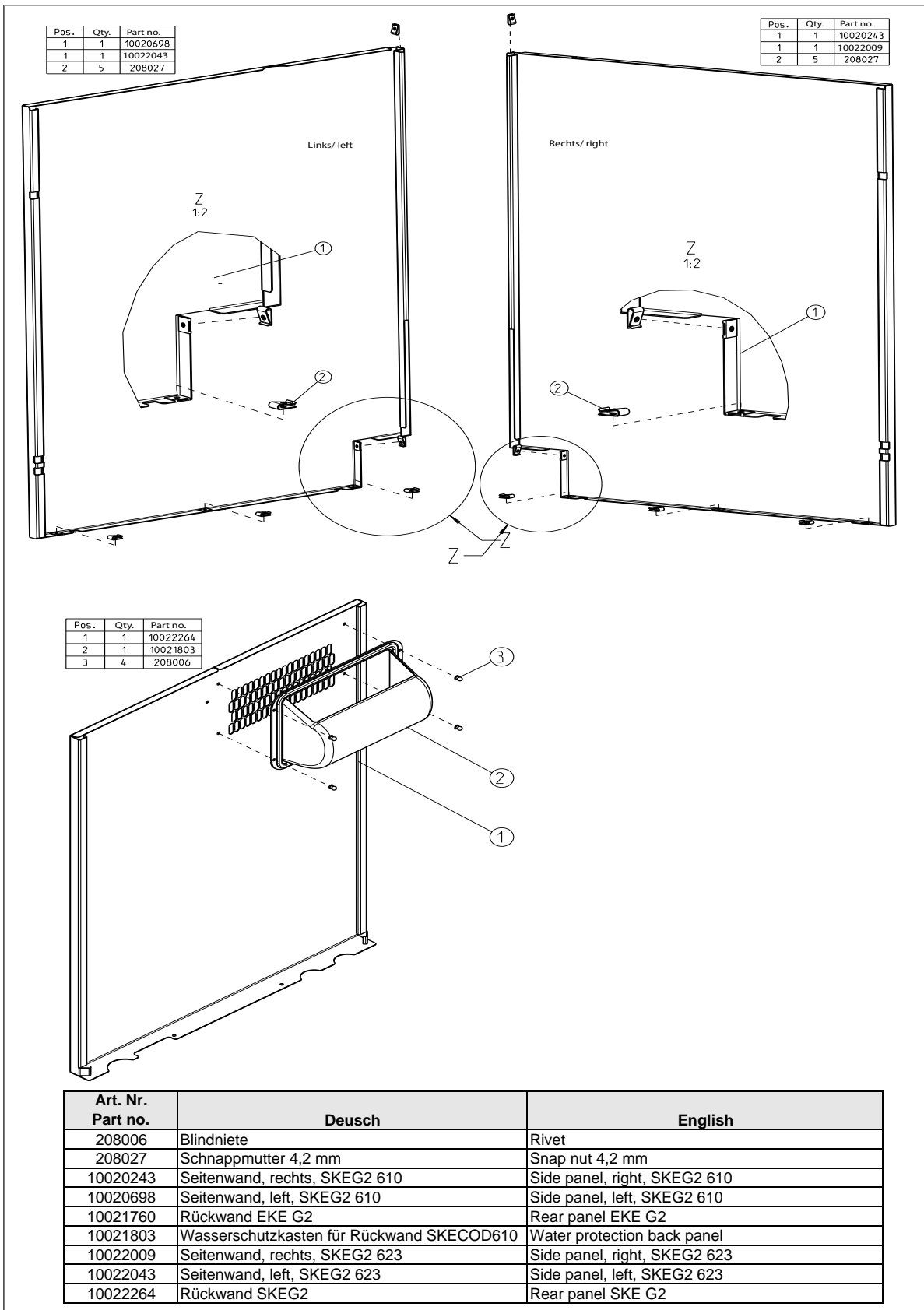
Hose reel (option)



Pos.	Art. Nr. Part no.	Deutsch	English
1	101408	Sechskantschraube M6 x 16	Hexagon screw M6 x 16
2	10018319	Schlauchaufroller TKE (komplett mit Schlauch, ohne Handbrause)	Tube carrier incl.hose TKE (incl.hose, without hand shower)
3	10019505	Handbrause (ohne Schlauch)	Hand shower (without hose)
4	208006	Blindniete	Rivet

Lid and side parts SKE



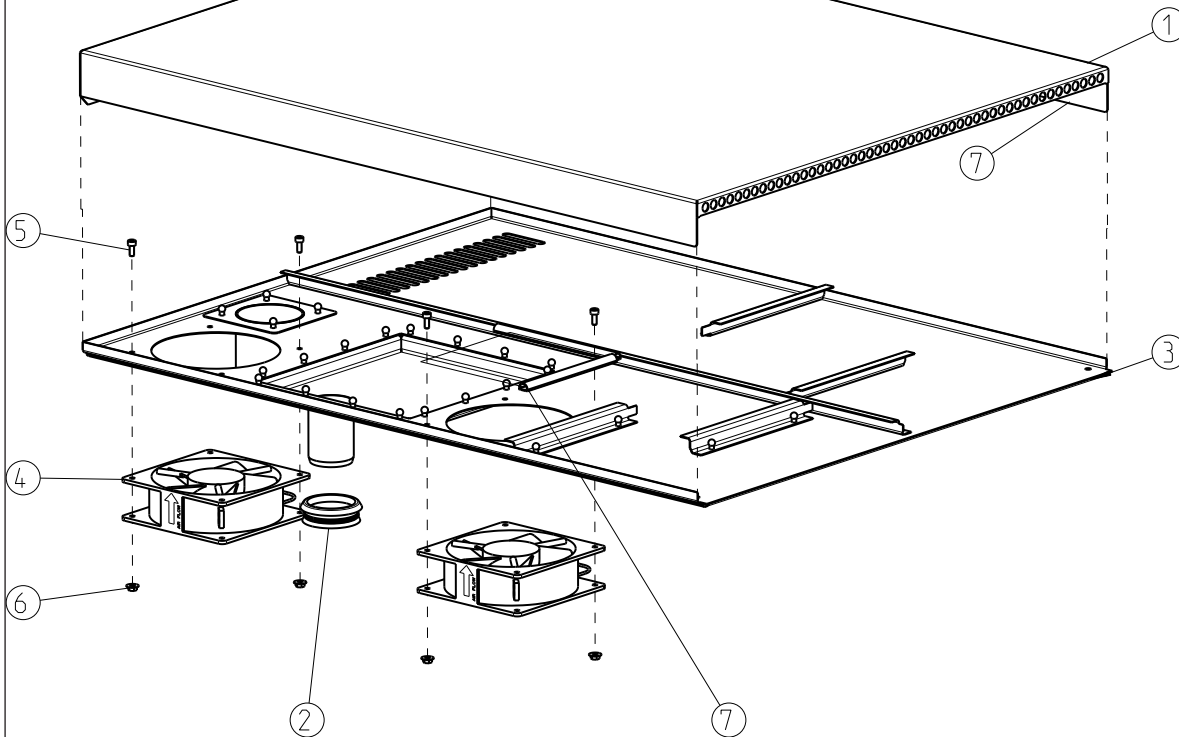


FM08-975B

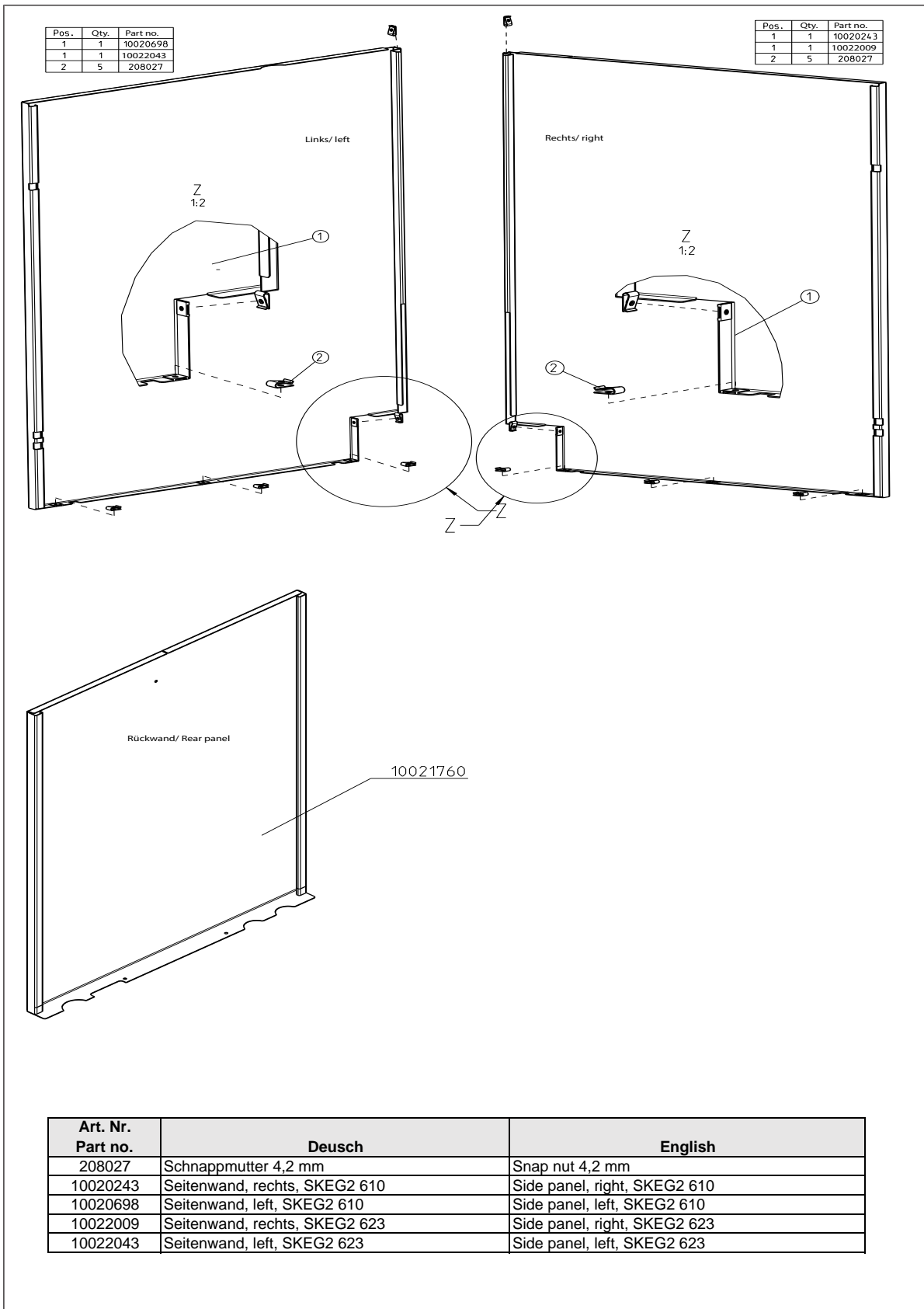
Lid and side panels EKE built-in version

Ab/ from 04/2021:
Luftführung überarbeitet
Air flow re-designed

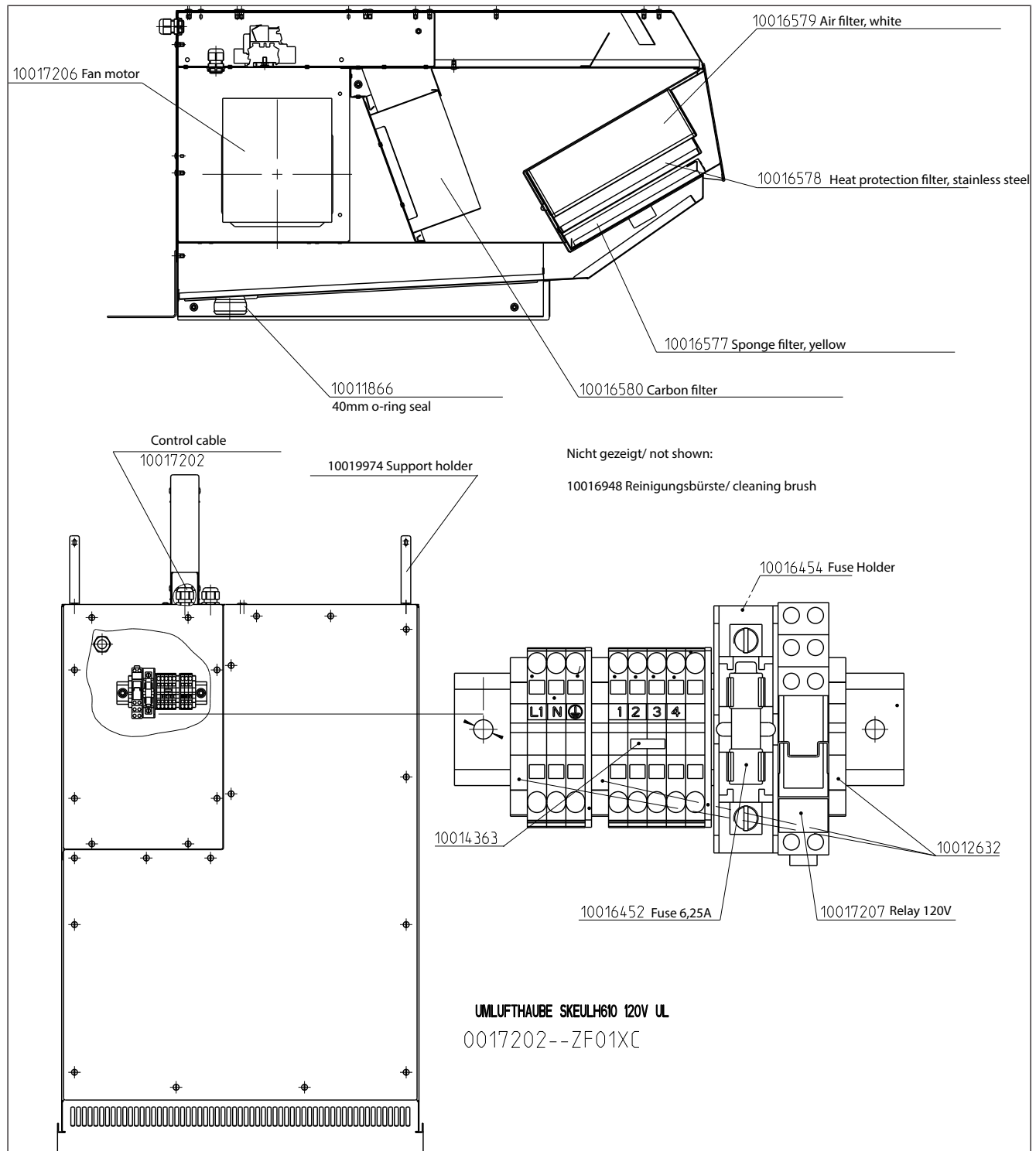
MBG 120 GEHAUSEDECKEL SKECODG2
10022091--ZM01X A 18.06.2021



Pos.	Art. Nr. Part no.	Deutsch	English
1	10021761	Deckel EKE 610 Einbauversion	Lid EKE 610 Build In version
1	10022691	Deckel EKE 623 Einbauversion	Lid EKE 623 Build In version
2	10011866	Ringdichtung für Rohr DN 40	Ring seal for DN 40 pipe
4	203819	Lüfter 21 W; 230 V; 120 x 120 mm	Cooling fan 21 W; 230 V; 120 x 120 mm
5	102015	Innensechskant-Zylinderkopfschraube M4 X 10	Hexagon socket screw M4 X 10
6	116044	Sicherungsmutter M4	Lock nut M4
7	211090	Profildichtung 10 x 6,5 mm	Profile gasket 10 x 6,5 mm



Hood MagicHood (option)



Wires and cable harnesses

... from	... to	Description	Item number
Control board A1	Power supply unit (motor control unit T10)	CAN control cable, 100 cm long	10023118
Control board A1, X7	Control panel A2, X31	CAN control line and power supply Control panel	10023161 (version with touch display) 10023326 (version with manual operation)
Control board A1, X21	Safety temperature limiter	Wiring harness control board A1 - STB	10023264
Control board A1, X10	Flow rate meter B14 Solenoid valve for steam supply K20	Power supply	10023398
Control board A1	LED cooking chamber lighting E3	Power supply	10023045
Control board A1, X21	Safety temperature limiter and thermal switch	Wiring harness control board A1 - STL + thermal switch, UL version	10027073
Control board A1	LED cooking cabinet lighting E3 (for new version cooking chamber door 10040071, 10040072)	Power supply	10040070
Control board A1	Reed contact switch for door	Extension for connection reed contact switch	10023400
Control board A1	Power supply unit T1, X2	Power supply wiring harness. 30 cm long	10023302



Henny Penny Corp., Eaton, Ohio 45320, Revised 2/18/2026



Henny Penny Corporation
P.O.Box 60
Eaton, OH 45320
USA

Phone +1 937 456-8400
Fax +1 937 456-8402

Toll free in USA
Phone +1 937 417-8417
Fax +1 937 417-8434

www.hennypenny.com